

- 1
- 2
- 3
- 4
- 5
- 6
- 7
- 8
- 9
- 10
- 11
- 12
- 13
- 14
- 15
- 16
- 17
- 18

MATERIAL

Natural aluminium or with epoxy resin coating.

STANDARD EXECUTIONS

Back mounting, threaded blind holes.

- **GN 328-A-BL**: natural aluminium.
- **GN 328-A-SR**: epoxy resin coating, RAL 9006 grey colour, matte finish.
- **GN 328-A-SW**: epoxy resin coating, RAL 9005 black colour, matte finish.

Front mounting, pass-through holes for cylindrical-head screws with hexagon socket.

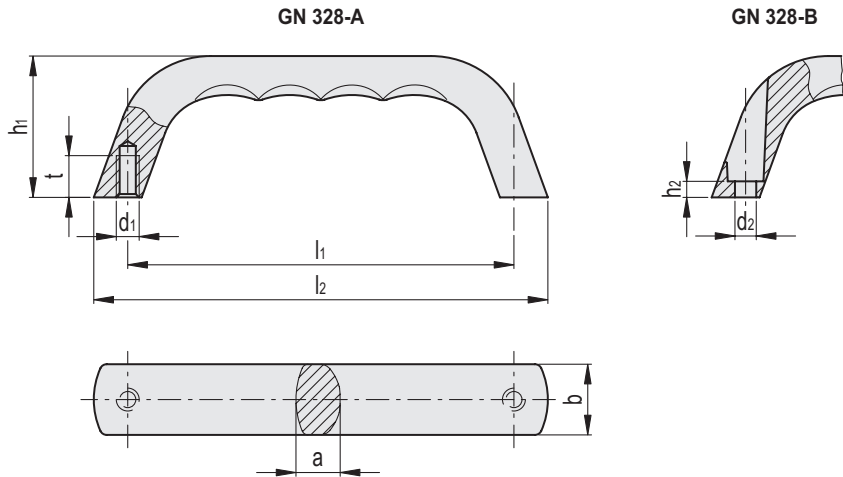
- **GN 328-B-BL**: natural aluminium.
- **GN 328-B-SR**: epoxy resin coating, RAL 9006 grey colour, matte finish.
- **GN 328-B-SW**: epoxy resin coating, RAL 9005 black colour, matte finish.

FEATURES AND APPLICATIONS

GN 328 bridge handles are made out of die-cast aluminum. High stability and ergonomic design.

SPECIAL EXECUTIONS ON REQUEST

Different finishes.



Conversion Table	
1 mm = 0.039 inch	
mm	inch
120	4.74
140	5.51

GN 328-A

Code	Description	l1±0.25	l2	d1	b	a	h1	t	△△
GN.25801	GN 328-120-A-BL	120	141.2	M6	22	14	44	13	112
GN.25802	GN 328-120-A-SR	120	141.2	M6	22	14	44	13	112
GN.25803	GN 328-120-A-SW	120	141.2	M6	22	14	44	13	112
GN.25851	GN 328-140-A-BL	140	166.5	M8	28	18	55	17	210
GN.25852	GN 328-140-A-SR	140	166.5	M8	28	18	55	17	210
GN.25853	GN 328-140-A-SW	140	166.5	M8	28	18	55	17	210

GN 328-B

Code	Description	l1±0.25	l2	d2	b	a	h1	h2	△△
GN.25804	GN 328-120-B-BL	120	141.2	6.5	22	14	44	5	101
GN.25805	GN 328-120-B-SR	120	141.2	6.5	22	14	44	5	101
GN.25806	GN 328-120-B-SW	120	141.2	6.5	22	14	44	5	101
GN.25854	GN 328-140-B-BL	140	166.5	8.5	28	18	55	6	185
GN.25855	GN 328-140-B-SR	140	166.5	8.5	28	18	55	6	185
GN.25856	GN 328-140-B-SW	140	166.5	8.5	28	18	55	6	185

METRIC